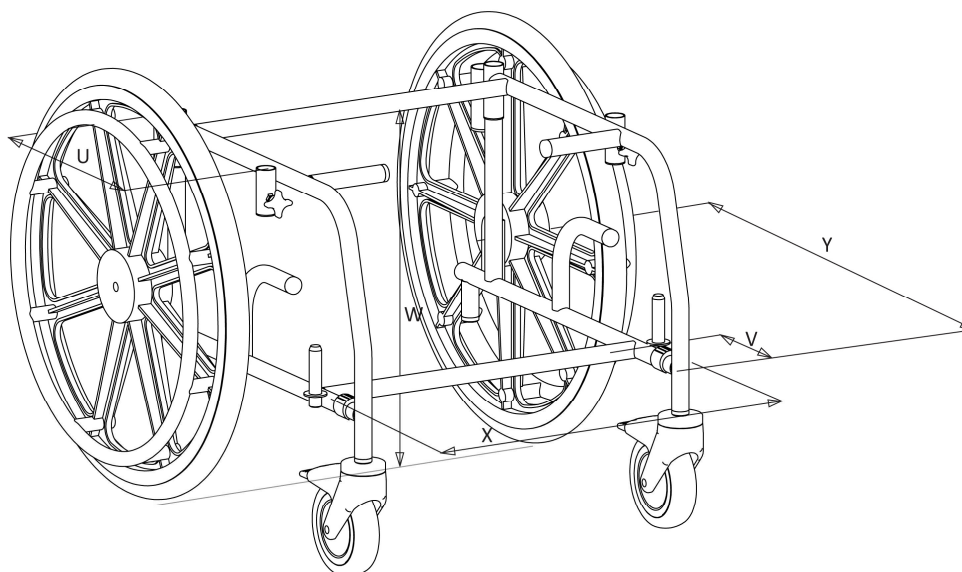


T70 AUTO



Dimension	Description	Std (mm)
Width (X)	Width (from outside of frame)	
	• 17" Frame	440
	• 19" Frame	490
	• 21" Frame	540
W	Floor to underside of Rear Cross Bar	480
Y	Front of frame to centre of axle (modifications to rear only)	510
U	Centres of arm rest sockets	270
V	Front cross bar to front of frame	110